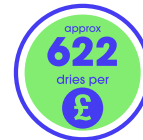


Dryflow Behind The Mirror

When the need for an enclosed hand dryer, there really is nothing better

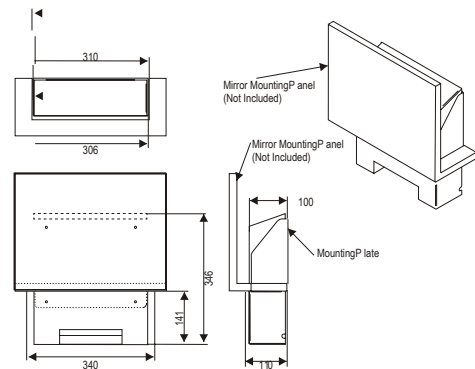


extreme traffic



- Very quiet ●
- Easily and subtly located behind a mirror ●
- Astonishing motor life ●
- 10cm depth ●
- Energy efficient ●

For life.
FREE REPAIRS FOR LIFE



ALL DIMENSIONS IN mm UNLESS STATED OTHERWISE

Dries possible per £1	622
Electrical Supply Voltage	230 - 240 V
Electrical Supply Frequency	50/60 Hz
Expected Motor Life	17,000 Hours
Rated Power	1.7 kW
Approx. Watt-Hours per Dry	8.03 Wh
Heater Element Power	1.55 kW
Operating Sound Level	71.5 dB
Motor Speed	82000 RPM

Air Speed	63 MPH
Operating Temperature Range	At ambient temp (20°C) - 54°C
Motor Cut off Time	90 seconds
Materials	Stainless steel
Weight	5.9 kg
Finishes Available & Codes	Brushed Stainless steel (DFBTM02)
IP Rating	IP21
Cable Entry Point	Rear
Certifications and Awards	CE